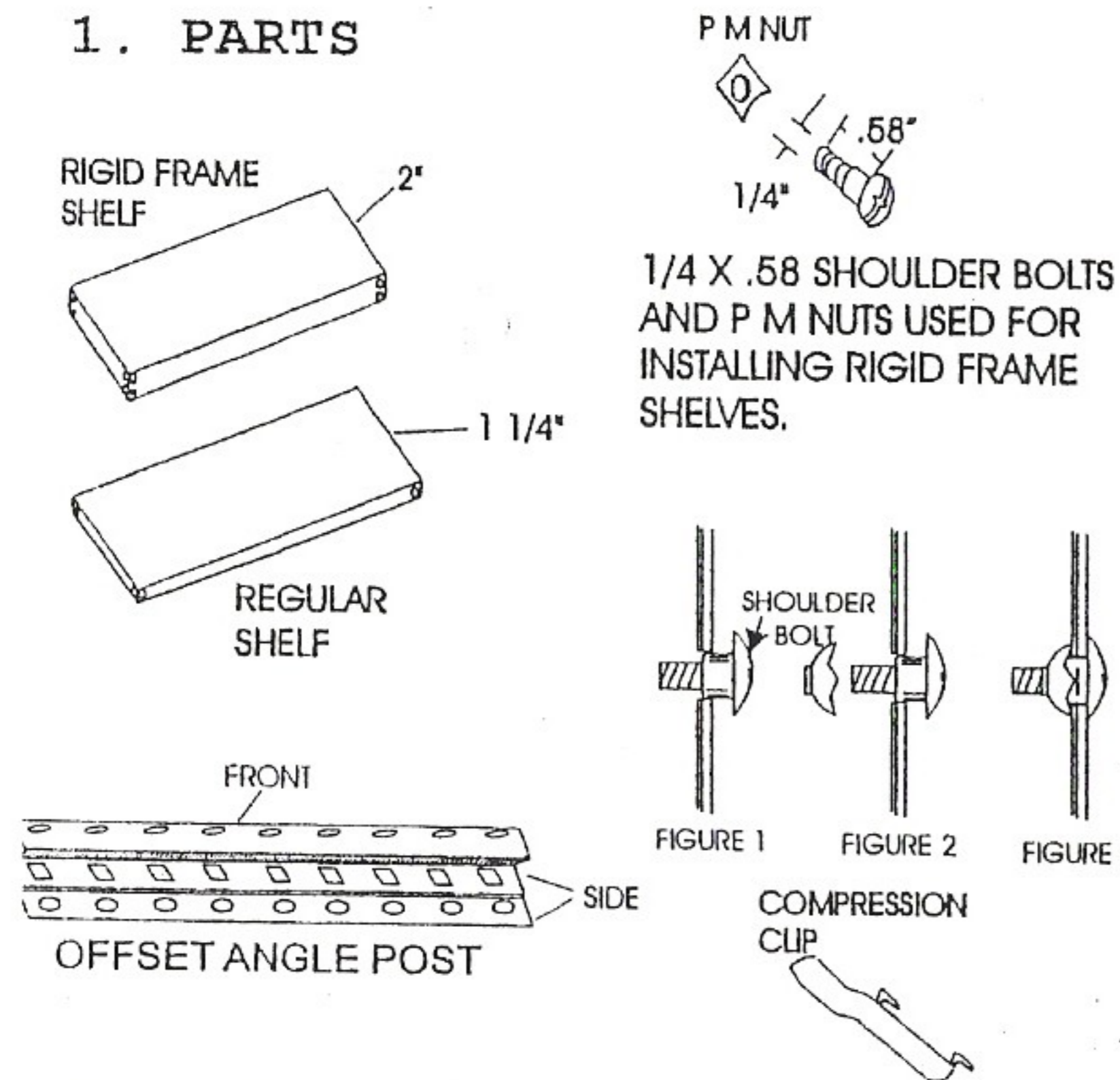


OFFSET RIGID FRAME OPEN UNIT

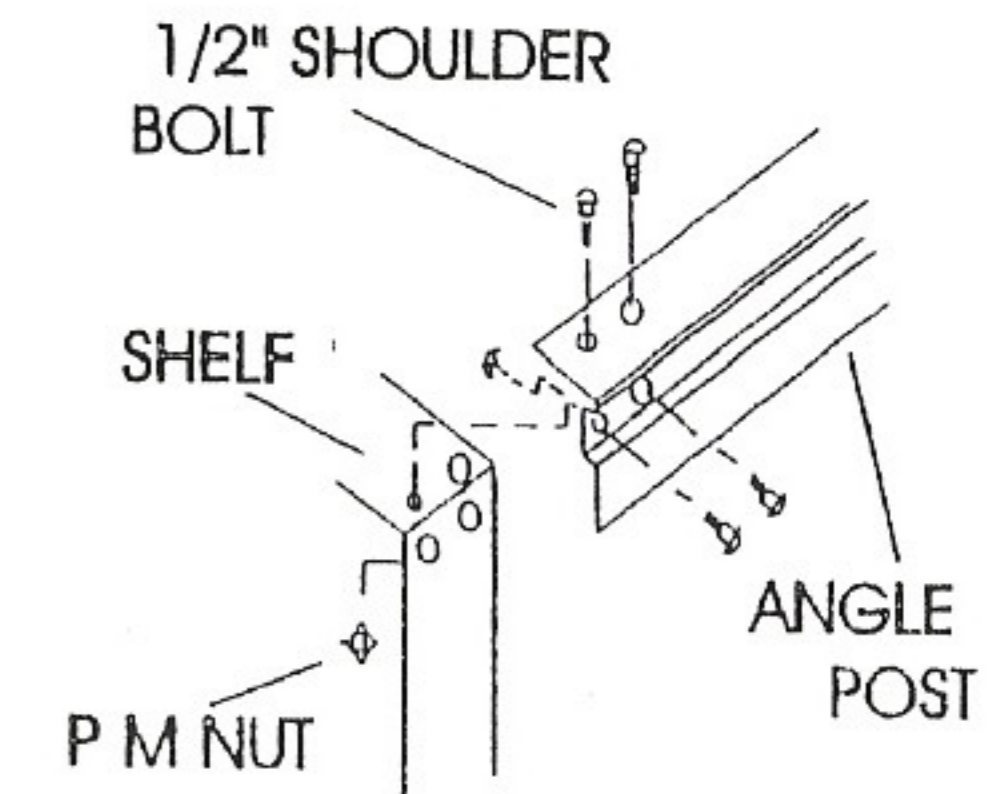
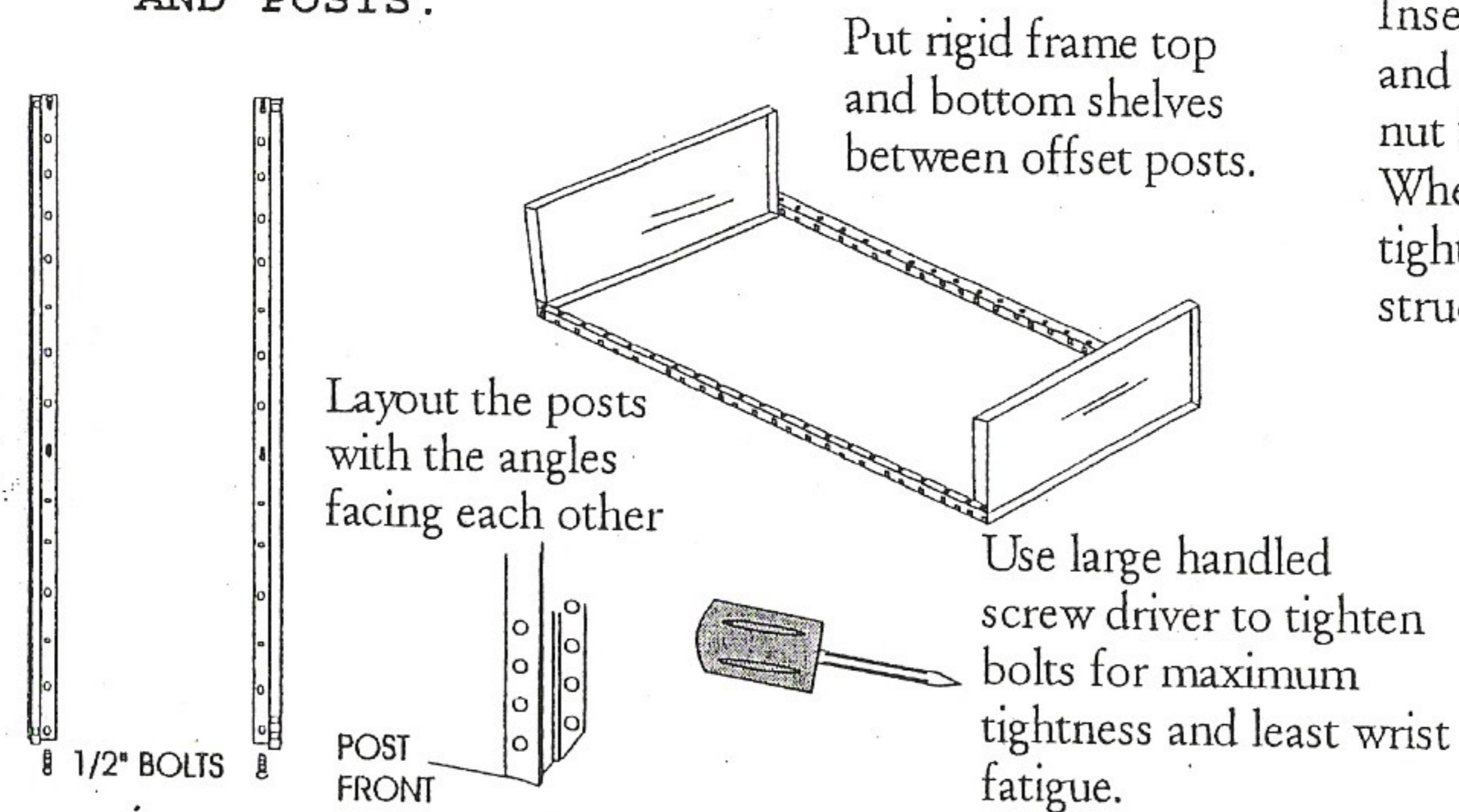
ASSEMBLY INSTRUCTIONS

NAVELES INDUSTRIAL SALES
 New - Used - Buy - Sell
 3747 NW 52nd Street Miami, Florida 33142
 (305) 635-6044 Fax (305) 634-1659
 www.naveles.com

1. PARTS



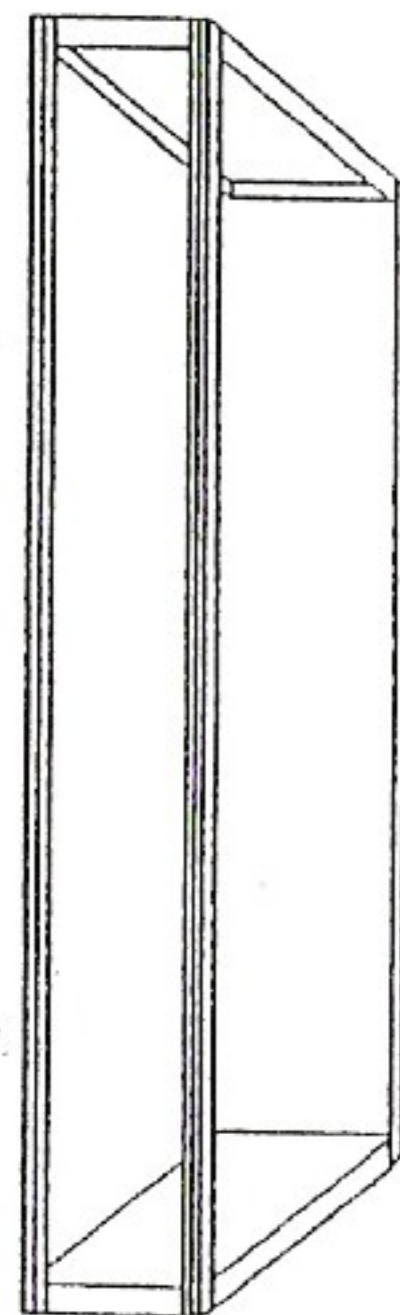
2. ATTACH RIGID FRAME SHELVES AND POSTS.



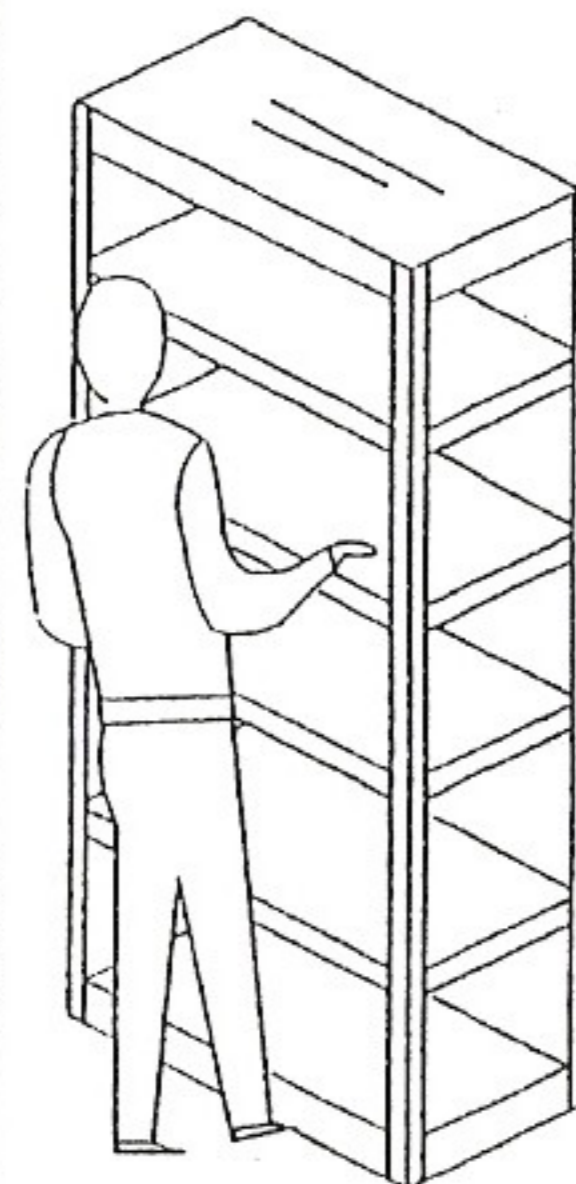
3. STAND UNIT UP

Rigid frame units do not require any bracing

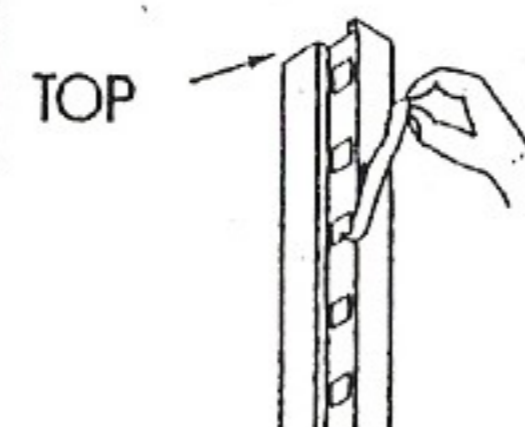
Each rigid frame shelf requires 16 bolts and PM nuts.



4. INSTALL SHELVES



Install four clips at desired shelf height. Place each shelf on the clips and tap down to seat.

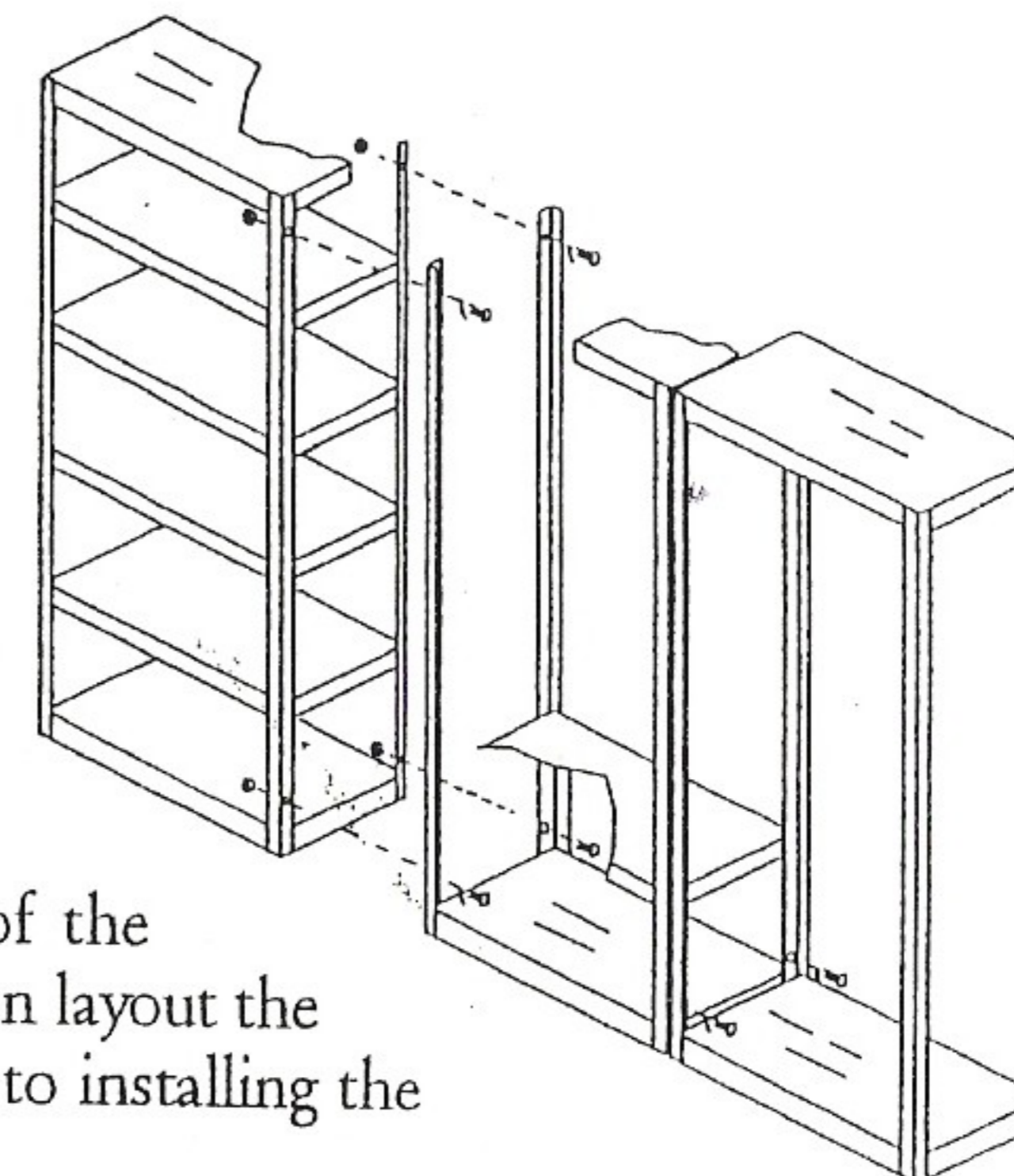


5. JOIN MULTIPLE UNITS TOGETHER

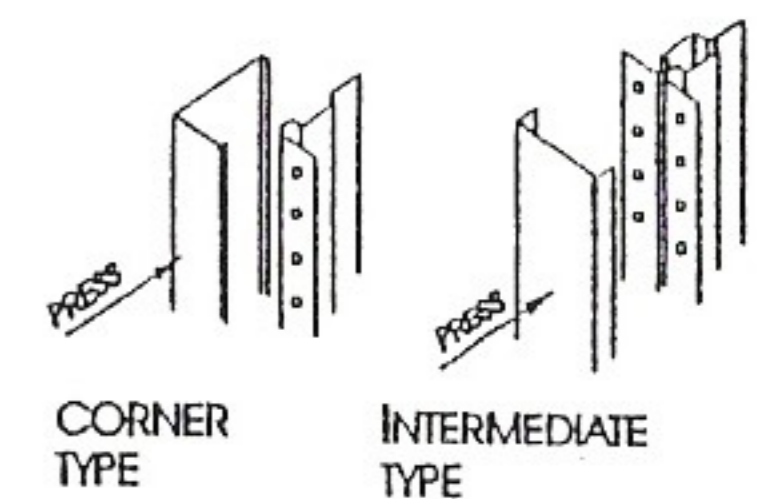
Tie in the top and bottom of all units with 1/2" bolts and nuts.

Place the bolt in the first hole below the top shelf and above the bottom shelf.

It is suggested that all of the units be assembled, then layout the entire stockroom prior to installing the shelves



POST COVER PLATES



Install accessories